

Priport™ JP5500/JP8500

Priport™

Digital Duplicator



**High-speed 400/600 dpi A3 Units
Offering Impeccable Connectivity**

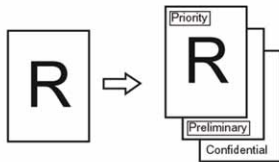
High-performance Digital Printing

To reach outstanding levels of productivity and flexibility, the Priport™ JP5500/JP8500 offer the ideal printing solutions: high speed, increased ease of use, simple maintenance, optimised reliability and a variety of options for enhanced efficiency. Combine these qualities with the systems' ecologically sound design and cost-effectiveness and you obtain superior digital printing systems. Additionally, the Priport™ JP5500/JP8500 simplify operations, maximise productivity and offer connectivity solutions with Adobe® PostScript® 3™. Compatibility with the Ricoh twin colour unit TC-II is another added benefit for conveniently creating multi-colour prints.



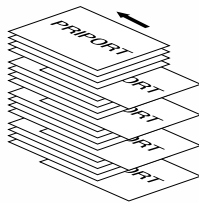
Digital Printing Excellence

Apart from offering reliable and highly productive A3 printing, the Priport™ JP5500/JP8500 boast additional qualities such as superb ease of use, optimised versatility and connectivity. Combine these benefits with the systems' 400/600 dpi image quality, their precise paper handling and easy maintenance and you obtain outstanding printing solutions for all labour-intensive print jobs.



Including Stamps

For the creation of professional output, you can use the systems' stamping mode and print the date, page number, confidential stamp or other selected text over images.



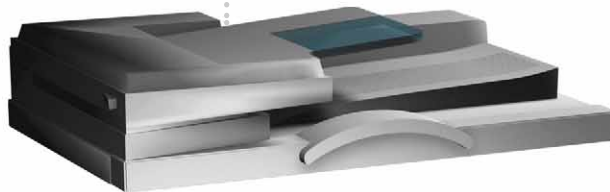
Built-in Job Separator Function

Thanks to the Priport™ JP5500/JP8500's tapeless job separator, the top sheet of each print job is separated and individual print jobs are distinguished.

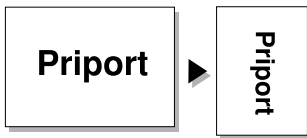


Special Originals

Books and other three-dimensional objects can be copied straight from the platen glass, while originals can be scanned and stored in the systems' memory for printing on demand.



The image on the combined pages 3 and 4 is not a real photograph and slight differences in detail might appear.



Misprints Eliminated

To help you avoid misprints, the systems' image rotation function automatically rotates the scanned image to match the direction of the printing paper.

Misfeeds Avoided

You can easily prevent paper misfeeds as the Priport™ JP8500's double feed detector senses differences in paper thickness and colour.



Professional Colour Printing

To make your documents more attractive and create stunning results, you can choose from a growing range of colours.

Exceptional Image Quality

To obtain high image quality, the Priport™ JP5500/JP8500 are equipped with a 400/600 dpi greyscale scanner. With three settings of image contrast for photo mode and letter/photo mode, you can create a variety of image nuances.



Straightforward Operation

The systems' icon-based operation panel is easily accessible with frequently used function keys located at the front. To achieve accurate image setting, the print position can be easily set and checked on the LCD.



Efficient Connectivity

By combining the Priport™ JP5500/JP8500 with Ricoh's twin colour unit TC-II you can efficiently make multi-colour prints and increase results of colour printing to a professional standard.

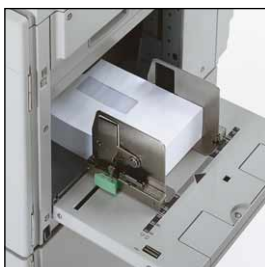
Controller Compatibility

Ricoh's newly developed embedded controller RCP80 is set to increase productivity and ease operations in any network environment. Offering Adobe® PostScript® 3™ as standard, the RCP80 controller allows for connectivity to Mac and Windows® environments.



Easy Replenishment

The Priport™ JP5500/JP8500 allow for easy and practical master replacement: a drawer-type master feed unit opens up wide and trouble-free replenishment is guaranteed.



Wide Range of Applications

A variety of paper types such as cards, envelopes, NCR and non-standard paper material can be easily fed using the system's skip mode.

Highly Productive Printing for Professional Environments

For superb productivity and reliability in your office, the Priort™ JP5500/JP8500 provide exceptional printing solutions. Next to their amazing speed, great paper feed capabilities, easy operation and connectivity options, these digital printing systems are also extremely user-friendly and cost-conscious.



Thanks to the Priort™ JP5500/JP8500's editing and image processing functions you can quickly and easily customise your prints.

Fast Cost-effective Printing

The Priort™ JP5500/JP8500 provide you with highly productive 120 ppm digital printing. For optimal feeding and image quality, the systems' speed can be controlled in five steps. Printing with the Priort™ JP5500/JP8500 is also very cost-efficient. The cost per copy decreases considerably when more copies are made from one original. Additionally, the A4 master cutting process saves up to 40% of master and ink costs. Ink consumption is further reduced in economy mode and you can save on paper by cutting A3 paper after print jobs or creating A4 booklets on A3.

Enhanced Reliability

Designed with the utmost care, the Priort™ JP5500/JP8500 are systems you can fully depend on. For trouble-free paper passage, paper feeding pressure and separation can be controlled automatically. Neat paper alignment and smooth paper delivery are guaranteed thanks to the systems' improved paper guide fences. In case of a misfeed there is no need to stop print jobs as the JP5500/JP8500's retry feeding mechanism assures non-stop printing.

Straightforward Operation and Maintenance

The Priort™ JP5500/JP8500's LCD displays graphic images for clearer instructions and offers five standard built-in languages. Frequently used function keys are conveniently located at the front and specialised function keys behind a cover. Moreover, maintaining the Priort™ JP5500/JP8500 is effortless thanks to their one-touch master setting and automated disposal of used masters.

Excellent Versatility

To meet all your digital printing demands, the Priort™ JP5500/JP8500 are equipped with a number of versatile functions. Special paper types such as cards, envelopes, NCR paper or non-standard paper materials are easily fed using the systems' skip mode. For professional-looking output, you can create attractive layouts with tint mode or use the overlay function to superimpose various images and produce one print image. In addition, when copying books, shadows can be easily erased manually or automatically.

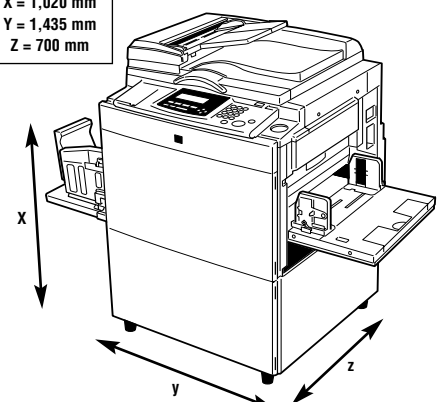
Environmentally Conscious

With the Priort™ JP5500/JP8500 Ricoh further establishes its commitment as an environmentally aware and ISO 14001 certified duplicator manufacturer. When idle, the machines automatically switch themselves into energy saver mode cutting power consumption to below 8 W. At the touch of any key, the machine is ready again. Boasting an ergonomic design and minimal operation noise, the Priort™ JP5500/JP8500 emit no ozone or radiation and make use of easily recyclable ink packages.



The Priort™ JP5500/JP8500's operation panel: created for a variety of language users and extremely easy to use.

JP5500/JP8500
X = 1,020 mm
Y = 1,435 mm
Z = 700 mm



Specifications

General

Type:	Table top
Printing process:	Dual cylinder digital silk screen printing
Originals:	Sheets/book
Original size:	
Exposure glass:	
Maximum:	305 x 432 mm
ADF:	Minimum: 148 x 210 mm
Maximum:	297 x 864 mm (A3+)
Print paper size:	
Minimum:	70 x 148 mm
Maximum:	325 x 447 mm
Print paper weight:	47 - 210 g/m ²
Print area:	290 x 410 mm (A3 drum) 290 x 200 mm (A4 drum)
Printing speed:	60 - 120 sheets per minute (5 steps)
First print time:	
JP5500:	12 seconds (A4)
JP8500:	25 seconds (A4)
Pixel density:	
JP5500:	400 dpi
JP8500:	600 dpi
Image modes:	Letter mode, photo mode, letter/photo auto separation, tint mode
Reproduction ratios:	
4 reductions:	93, 87, 82, 71%
3 enlargements:	115, 122, 141%
Zoom:	50 - 200% in 1% steps
Colour printing:	By replacing optional drum
Paper feed/delivery table capacity:	1,000 sheets (80 g/m ²)
Master roll capacity:	
JP5500:	200 masters per roll (A3)
JP8500:	255 masters per roll (A3)
Power source:	220 - 240 V, 50/60 Hz
Power consumption:	
Maximum:	240 W
Energy saver mode:	8 W
Dimensions (W x D x H):	1,435 x 700 x 1,020 mm (with cabinet)
Weight:	
JP5500:	97 kg
JP8500:	105 kg

Added value features

- Colour drum change
- Auto cycle
- Overlay
- Security mode
- Tint mode
- Economy mode
- Energy saver mode uses only 8 W
- Margin erase
- Program mode
- Skip feed mode
- Class/memory mode
- SP mode
- Combine two originals
- Auto background correction
- Stamping
- Paper size detection
- Double feed detector (JP8500)
- User tool
- Original storage
- Job separator

Options

- PRIPORT™ document feeder type 85
- PRIPORT™ twin colour unit TC-II
- PRIPORT™ printer controller RCP80 (embedded)
- PRIPORT™ printer controller Zip Rip UC5/UC5e
- PRIPORT™ printer controller Zip Rip UC6
- PRIPORT™ platen cover type 1018
- PRIPORT™ interface kit type 85
- PRIPORT™ editing function type 85

JP5500:

- PRIPORT™ colour drum type JP55L (A3 print area)
- PRIPORT™ black drum type JP55S (A4 print area)

JP8500:

- PRIPORT™ colour drum type JP80L (A3 print area)
- PRIPORT™ colour drum type JP80S (A4 print area)

Supplies

- PRIPORT™ colour inks type JP500: red, blue, green, brown, maroon, orange, yellow, dark blue, purple and teal (1,000 ml)
- PRIPORT™ CM ink (custom-made colours, 500 ml)

JP5500:

- PRIPORT™ master type JP50
- PRIPORT™ black ink type JP500 (1,000 ml)

JP8500:

- PRIPORT™ master type JP80
- PRIPORT™ black ink type JP800 (1,000 ml)
- Digital duplicator ink high density: red, blue, green, teal, reflex blue (1,000 ml)

Consult your representative concerning high density inks.



Ricoh believes in conserving the earth's precious natural resources.

All brand and/or product names are trademarks of their respective owners.

Specifications and external appearance are subject to change without notice. The colour of the actual product may vary from the colour shown in this brochure.

RICOH

Image Communication Home Page: <http://www.ricoh.co.uk>

RICOH UK LTD, Ricoh House, 1 Plane Tree crescent, Feltham, Middlesex TW13 7HG, Tel: 020 8261 4000 Fax: 020 8261 4288

For more information, please contact: